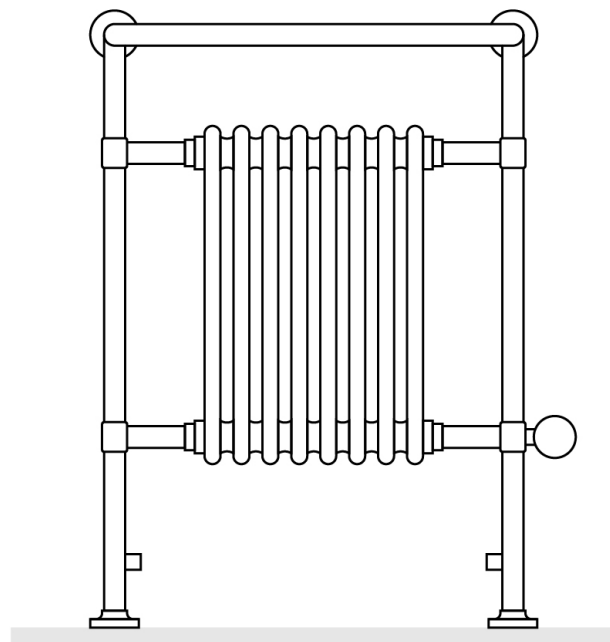


ecostrad

INSTRUCTION MANUAL

Ecostrad Electric Towel Rail ALLERTON



PLEASE READ AND SAVE THESE INSTRUCTIONS



Symbols



Warning

This symbol indicates a hazard with an average risk level which, if not avoided, could result in serious injury or death.



Warning of electrical voltage

This symbol indicates danger to the life and health of persons due to electrical voltage.



Hot surface

This symbol located on the device indicates that its surfaces are hot during and immediately after operation. Hot surfaces should not be touched: danger of burns.



Observe instructions in manual

This symbol located on the device indicates that instructions in the operating manual must be observed when installing and using the device.

Contents

1	About the Product	4
2	Warnings & Precautions	5
3	Installation	6
3-1	Components	6
3-2	Fitting the element	7
3-3	Wall mounting	7
3-4	Connecting the element	10
4	Cleaning & Maintenance	10
4-1	Bleeding the towel rail	10
5	Warranty	11
6	Disposal	12

1 | About the Product

This manual describes the Ecostrad Allerton Towel Rail and details how to install and use the product. It is important to thoroughly review this manual before using the product.

The Ecostrad Allerton Towel Rail is designed to dry and warm towels. This product is designed to be used with the Ecostrad iQ WiFi Heating Element and is for use with an electric supply only. The product cannot be used as part of a central heating system or as a dual source towel rail. Consult the element's manual for full safety, installation and functionality details.

This towel rail has been pre-filled and adjusted for electric use. No filling is required. Do not remove any of the seals as this might cause leakages and void the warranty. Improper adjustment of the fluid level in the towel rail can cause malfunction.

For **technical advise** regarding the Ecostrad Allerton Towel Rail, contact the retail establishment or distributor from which the product was purchased.

2 | Warnings & Precautions

Read all safety warnings and all instructions in this manual carefully before using or installing the towel rail. Failure to follow the warnings and instructions may result in electric shock, fire, serious injury, or all of the above. Save all warnings and instructions for future reference.

Check that all ancillary components are present and that the product has not suffered any damage during transit.



Warning

This appliance is not intended for use by persons (including children) with reduced physical, sensory or mental capabilities, or lack of experience or knowledge, unless they have been given supervision or instruction concerning use of the appliance by a person responsible for their safety. Children should be supervised to ensure they do not play with the appliance.



Warning

As with conventional towel rails, this electric towel rail will get hot to the touch during operation. If the towel rail is left on full power for a prolonged period of time the surface temperature can rise to 70 °C (+/- 5 °C). Particular attention should be given where children and vulnerable adults are present.



Warning

When drilling or fixing into walls, floors or ceilings it is essential you check for pipes and wires before commencing. Please ensure that you wear all necessary personal protective equipment.







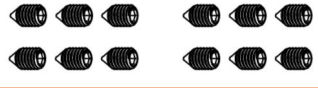

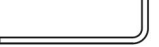

- Ensure that all safety requirements stated in the element manual are taken into account when installing this product.
- The installation of the element must only be performed by a qualified electrician.
- To avoid risk to very small children, ensure the product is mounted so that the heated rail is at least 600mm from the floor, including steps or raised flooring.
- This product is intended for household use only.

3 | Installation

3-1 | Components

Before beginning installation, check that all fixings in **Table 1** are supplied. The towel rail should only be mounted with the manufacturer's fixings.





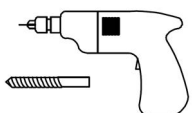
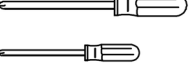
Table 1 | Fixings and components

Part	Description		Quantity
A	Wall Plugs 8x36.5		16
B	Wall Screws ST4x30		16
C	Mounting plates 66x7.5		4
D	Brackets		2
E	Set Screws M5x8		12
F	Locking Screws M5x5		2
G	Allen key S2.5x60		1
H	Element*		1

*The heating element is packaged separately from the towel rail and may arrive in a separate delivery.

The tools you will require for this installation are listed below. **Please note that these materials are not supplied with the towel rail.**

Table 2 | Tools Required

Tool			
Adjustable Wrench		PTFE Tape	
Tape measure		Pencil	
Electric Drill (8mm drill bit)		Screwdrivers	

3-2 | Fitting the element

Full instructions for fitting the element can be found within the element manual. The user must ensure installation is in accordance with the following:

- The element must be fitted at the bottom right side of the towel rail (**Figure 1**).
- The heating element **must not** be connected to the electric supply until it is secured inside the towel rail, correctly orientated, and the towel rail has been fixed to the wall.
- The towel rail is filled with an anti-freezing liquid exactly to the level required by the element. Ensure that no liquid is lost during installation.

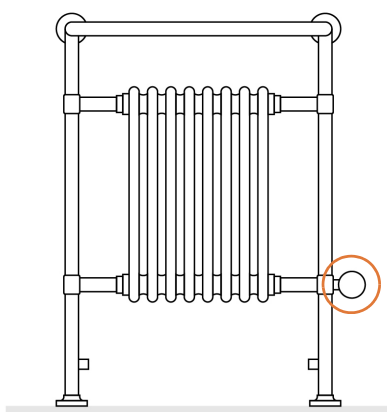


Figure 1 | Correct element positioning

Please be aware: the element is inserted horizontally into the towel rail. The control panel of the element is universal and designed for use in a variety of products, whether mounted on the left side, right side or vertically. As such the screen will be horizontal in some products.

3-3 | Wall mounting

1. Choose a mounting location. For this, read the heating element's manual to ensure the minimum mounting distances from surrounding objects are respected. Then, check the wall type.

The fixings supplied are suitable for use in solid masonry. For any other wall type you will need to source appropriate fixings. If fitting to a plasterboard wall, either fit directly to the wooden struts or otherwise strengthen the wall; do not fix through plasterboard alone.

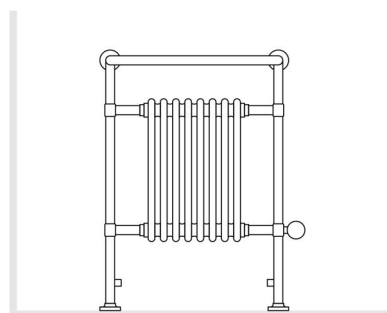
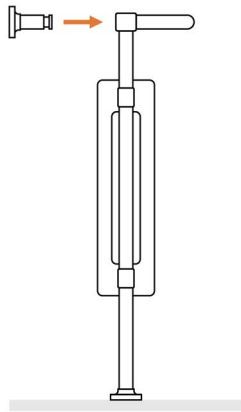
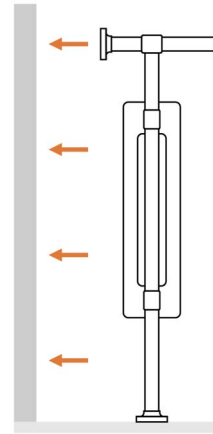


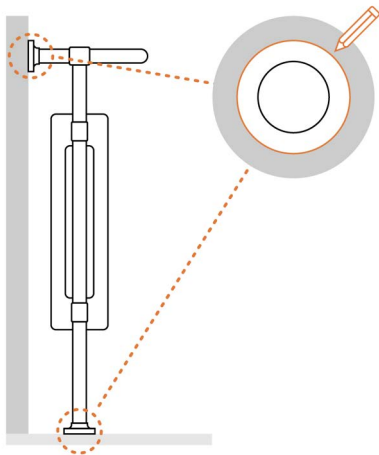
Figure 2 | Choose a mounting position



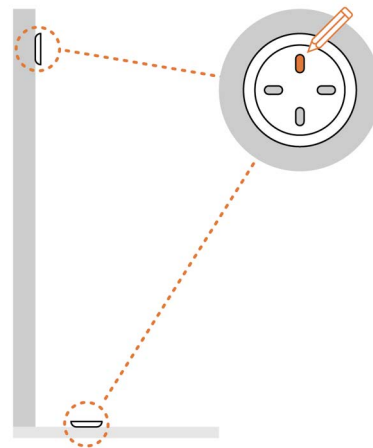
2. Insert the brackets (D) into the towel rail pipes temporarily.



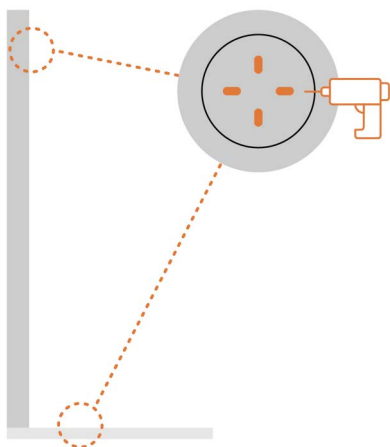
3. Position the towel rail against the wall in your preferred mounting location.



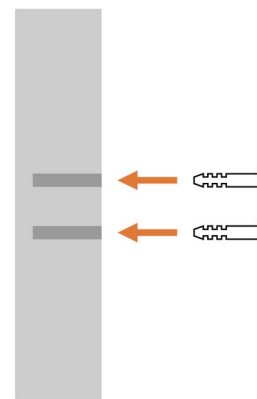
4. Mark where the brackets sit on the wall and where the base of the towel rail meets the floor with a pencil.



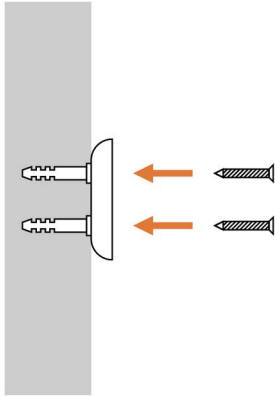
5. Remove the towel rail and place the mounting plates (C) on the positions marked on the wall and floor. Mark the drilling locations through the holes of the mounting plates.



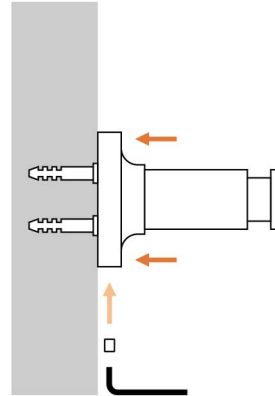
6. Drill the 16 required holes in the wall using an 8mm drill bit.



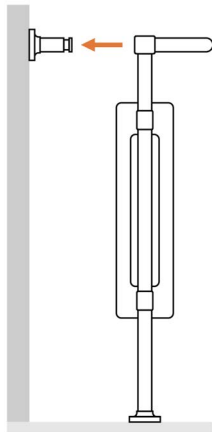
7. Push the wall plugs (B) inside the 16 pre-drilled holes.



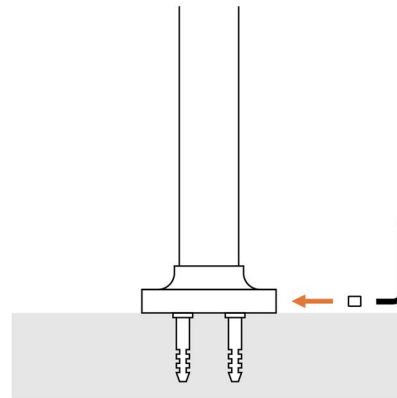
8. Line up the mounting plates (C) with the holes and secure in place using the wall screws (A).



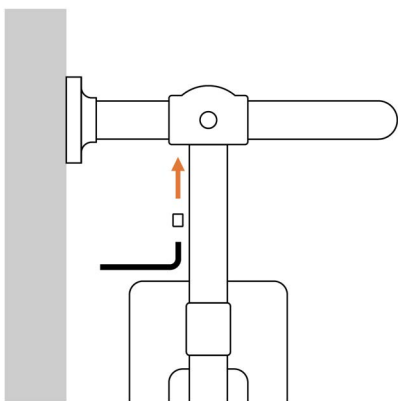
9. Place the brackets over the mounting plates and secure in place using the set screws (E) and the Allen key (G).



10. Position the towel rail on the floor mounting plates. Push the towel rail forward until the brackets are inserted into the towel rail.



11. Secure the floor mounting plates to the towel rail using the remaining set screws (E).



12. Secure the towel rail to the brackets using the Locking Screws (F).

3-4 | Connecting the element

Wiring the heating element to the mains is a job for a qualified electrician. Please consult the element manual for full instructions and safety warnings, paying special consideration to the following:

- The towel rail and its element are designed to be used under AC 230 voltage and should be connected to the household fixed wiring by a qualified electrician in accordance with national wiring regulations. Risk of electric shock.
- Do not install the towel rail under or in front of a power socket or connector box.
- The power lead must be connected to a socket which must be at least 25cm from the floor. Do not connect the element to the power supply until it is secured within the towel rail and correctly orientated, as demonstrated in **Figure 1**.



4 | Cleaning & Maintenance

Ensure the towel rail is cool before attempting cleaning.

Regular cleaning with a soft, damp cloth will keep the surface of your product looking new. Do not use abrasive or chemical cleaners as these will damage the finish over time.

4-1 | Bleeding the towel rail

If the hanging rail of the towel rail is failing to heat, there may be an excessive build up of air inside the towel rail. In this case, carefully bleed the towel rail using the below instructions:

1. Allow the towel rail to heat for 30 minutes.
2. Slot a screwdriver into the air vent and unscrew to allow the air vapour to escape.
3. Continue until the top bar warms or until liquid begins to leak from the air vent.
4. Screw the air vent closed.

Collect any leaked fluid and dispose of it.

5 | Warranty

The Ecostrad Allerton Towel Rail carries a 10-year guarantee on the towel rail body. Please see the manual of the heating element for the warranty covering the electrical components.

What does this warranty cover?

Within the stated period, starting from the date the customer receives their unit, Ecostrad guarantee to repair or replace the unit where a fault is due to defects in materials or manufacturing.

What does this warranty NOT cover?

The warranty does not cover any defect arising from damage, negligence, usage outside the product's intended purpose or fair wear and tear. The warranty is only valid when the towel rail has been used with the supplied heating element, at the specified supply voltage, and in accordance with all conditions specified in this manual. The warranty will be void if the towel rail has been tampered with, if its fluid levels have been adjusted, or if the ratings label has been removed.

The warranty does not cover failures and faults due to force majeure, accidental damage, mishandling, external impact, chemical agents or atmospheric phenomena, incorrect use of the unit, the purchaser's faulty electrical installations, transporting the unit or problems caused by the unit being handled by persons not authorised by Ecostrad. An invoice may be required to confirm that installation work has been carried out by a qualified professional. Ecostrad cannot accept responsibility for damage, loss or injury caused by incorrect installation, maintenance, cleaning or covering the unit.

How to claim

The warranty is a contract with the original purchaser and does not transfer if the unit is re-sold, gifted or inherited. Proof of purchase, including order number and order confirmation or invoice, will be required if a claim is made. The warranty covers only the model of heater shown on the purchase invoice. The warranty covers the repair or replacement of the defective product only and Ecostrad shall have no liability for installation costs or consequential losses however incurred. Claims must be made with the establishment where the unit was purchased. This warranty does not affect the customer's consumer rights. This product is CE and UKCA certified for use with the Ecostrad iQ WiFi Heating Element.

6 | Disposal



In accordance with WEEE Directive 2012/19/EU, the icon with the crossed-out waste bin on electrical or electronic equipment stipulates that this equipment must not be disposed of with household waste at the end of its life. You will find collection points for free return of waste electrical and electronic equipment in your vicinity. The addresses can be obtained from your local authority.

The separate collection of waste electrical and electronic equipment enables the re-use, recycling and other forms of recovery of waste equipment, and prevents any negative effects for the environment or human health caused by the disposal of hazardous substances potentially contained in the equipment.

For queries, contact:

The UK manufacturer

Ecostrad Ltd.
Firecrest House
Lingerfield Business Park
Market Flat Lane
Knaresborough
North Yorkshire
HG5 9JA

The ROI Importer

Ignition Heatco Ireland Limited
Unit 282
Block G
Blanchardstown Corporate Park 2
Dublin
Republic of Ireland
D15 R65X

<https://ecostrad.com>