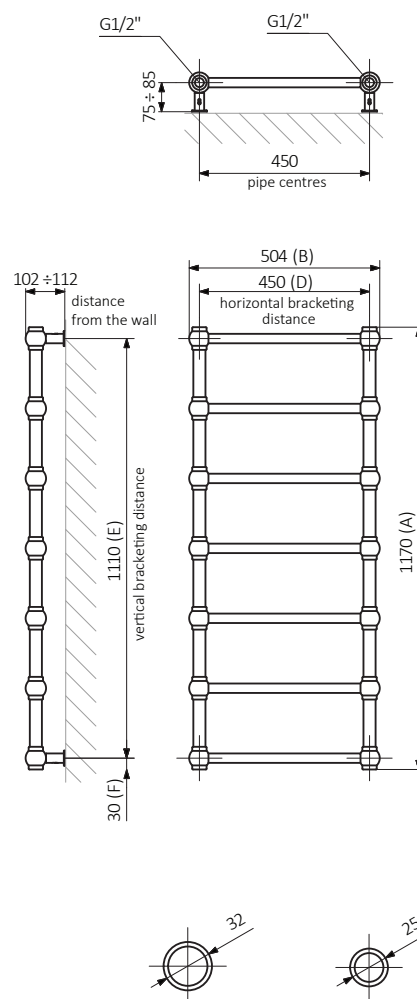


## Installation guide Retro 1170 x 504 mm

Please read the instructions in full before starting to fit your radiator.

- Please check that all parts listed are present before starting installation.
- Valves are not provided, please make sure that you have them before you start. This product requires standard 1/2" radiator valves.
- Before drilling holes for the brackets please check that there are no hidden wires or pipes.
- The plugs supplied are for hard walls masonry only. Please make sure you are using the correct plug for your wall.
- Terma radiators are designed for closed heating systems.
- The radiator should be fitted at least 100 mm from the floor to maximise heat efficiency.
- Noting the distances between bracket centres, mark out the position of the brackets on the wall.
- Drill holes to approximately 80 mm depth using a 10 mm drill bit and insert rawl plugs (1). Using connecting screw with a washer (2) attach mounting bracket-1 (3).
- Using bracket to collector fixing screw (5) attach mounting bracket-2 (6) to radiator.
- Guide all mounting brackets-2 (6) into mounting brackets-1 (3) and fix with connecting screws (4)
- Connect the water flow using appropriate 1/2" BSP valves. Follow valves manufacture guidelines for correct installation.
- Fill the radiator and purge any trapped air via the bleed valve at the top of the radiator.
- Wipe your radiator down using a clean damp cloth. Never use scourers or abrasives.



### Fixing kit content

rawl plug (1)



wall fixing screw + washer (2)



mounting bracket-1 (3)



connecting screw (4)



bracket to collector fixing screw (5)



mounting bracket-2 (6)



air vent \*



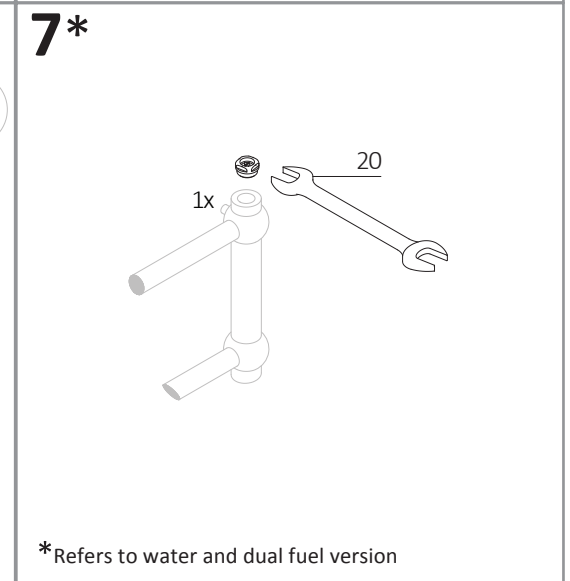
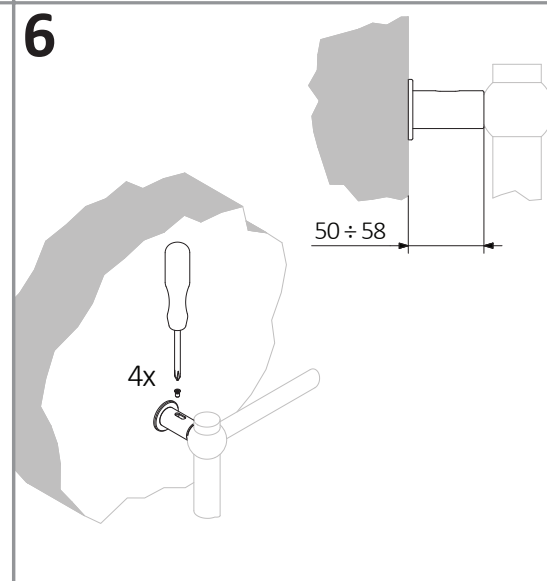
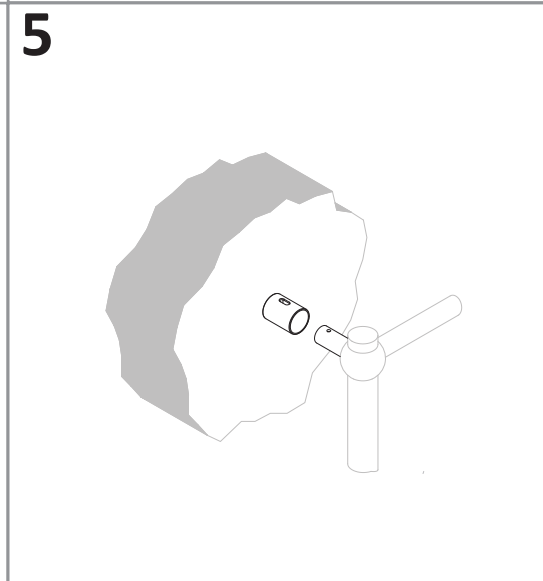
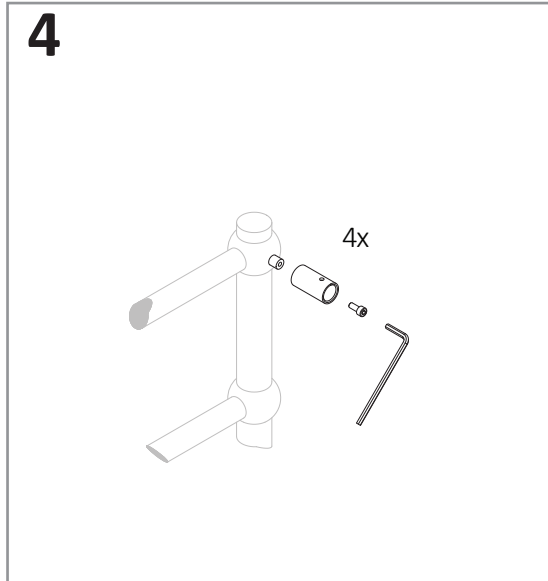
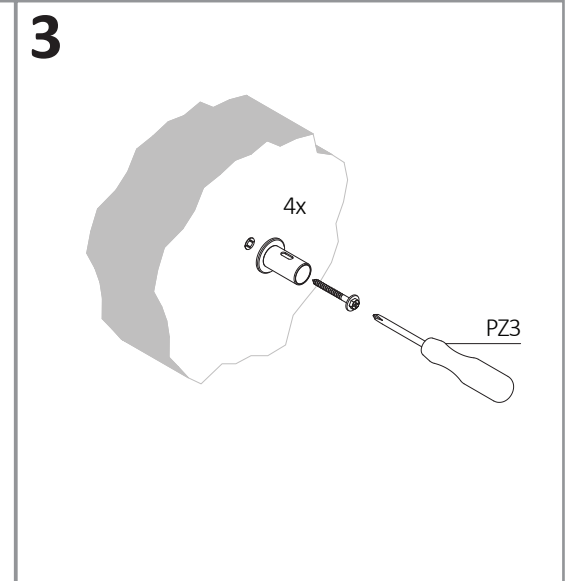
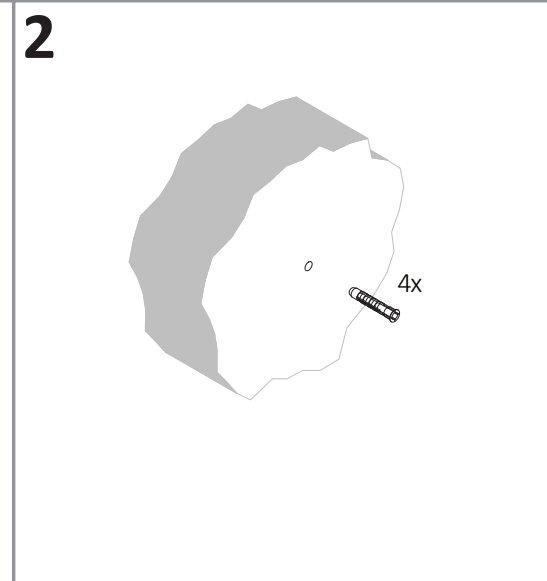
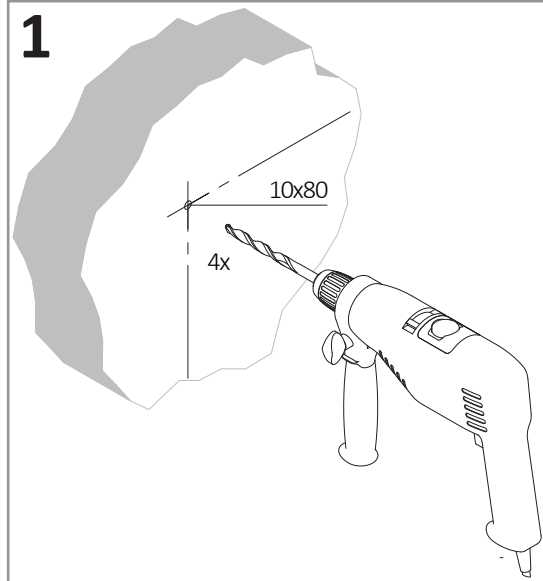
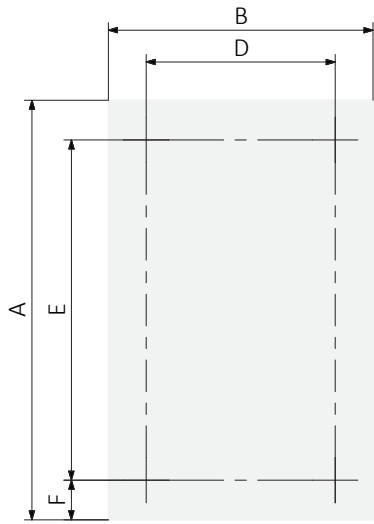
allen key



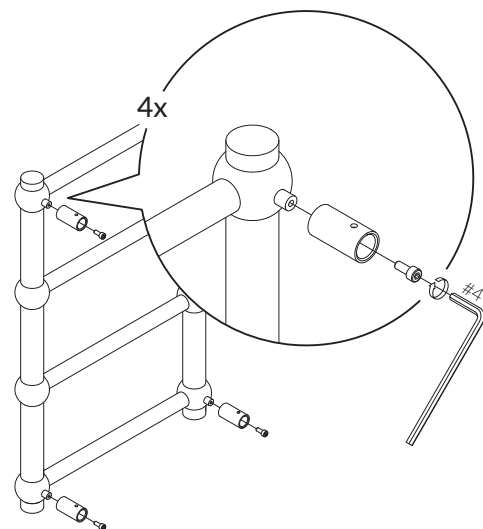
\*Refers to water and dual fuel version

For all installation and warranty enquiries please contact Crimson Bear Customer Support on 01535 636256

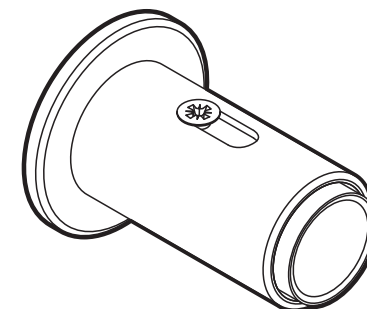
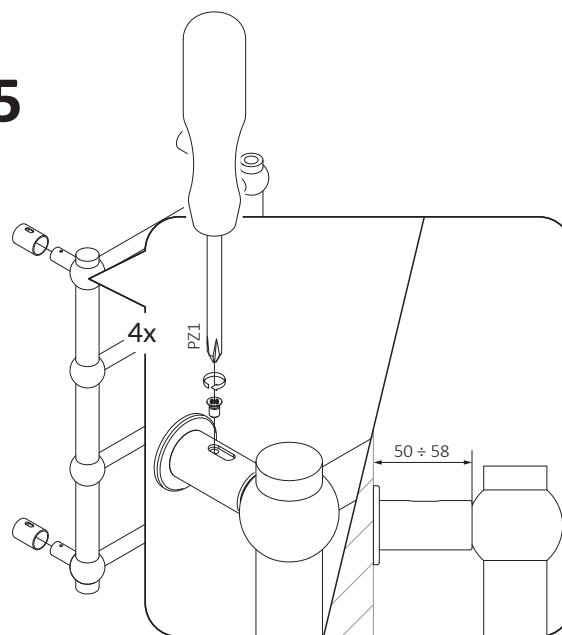
# Mounting bracket TERMA RT; 50÷58 mm; 4x



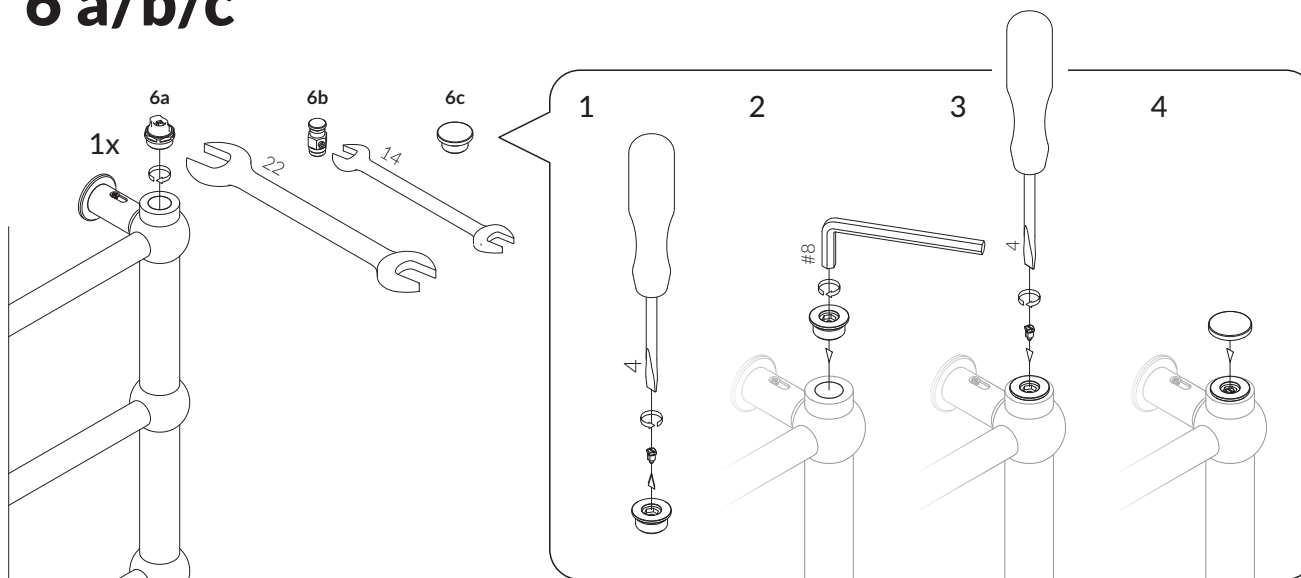
4



5



6 a/b/c\*

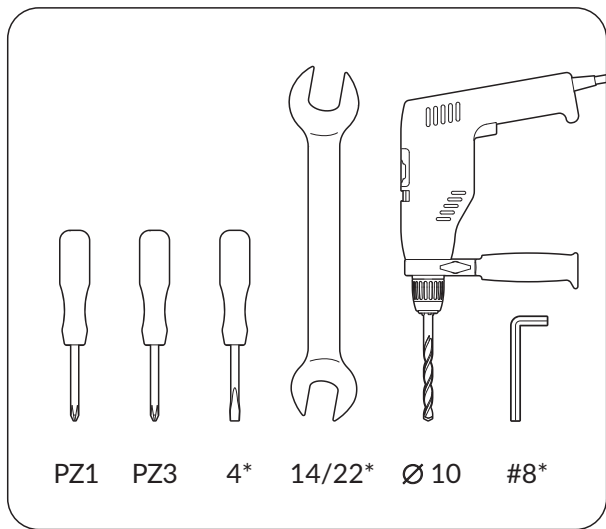
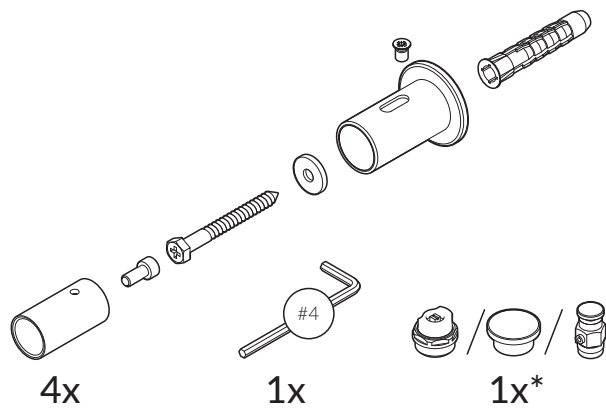


# User Manual

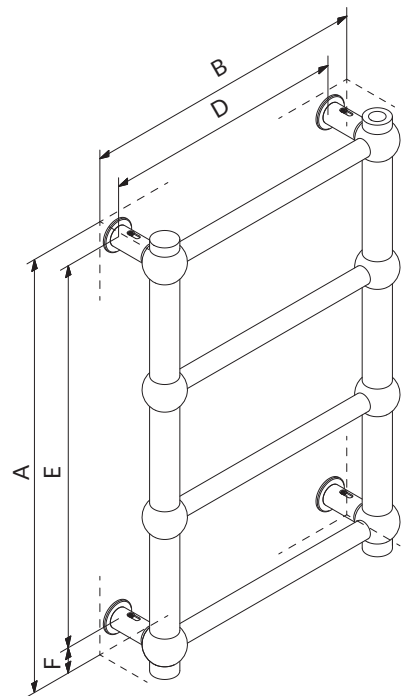
## Mounting bracket TERMA RTP

4x

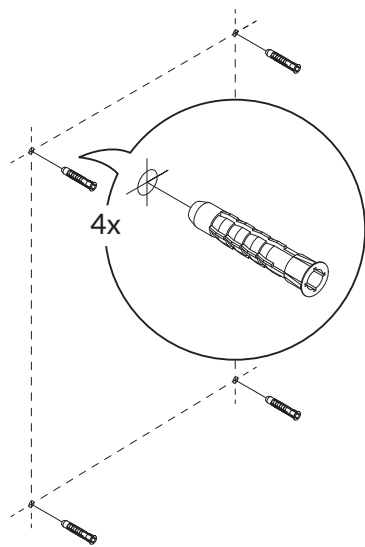
- PL** Instrukcja montażu – mocowanie TERMA RTP
- CS** Pokyny k instalaci – konzole TERMA RTP
- DE** Montageanleitung – Wandhalterung TERMA RTP
- ES** Instrucción de montaje – fijación TERMA RTP
- FR** Instruction du montage – Support de montage TERMA RTP
- IT** Manuale d'uso – staffa di fissaggio TERMA RTP
- NL** Montage instructies – bevestigingsbeugels TERMA RTP
- RU** Инструкция по монтажу – крепление TERMA RTP
- SK** Pokyny k inštalácii – TERMA konzoly RTP



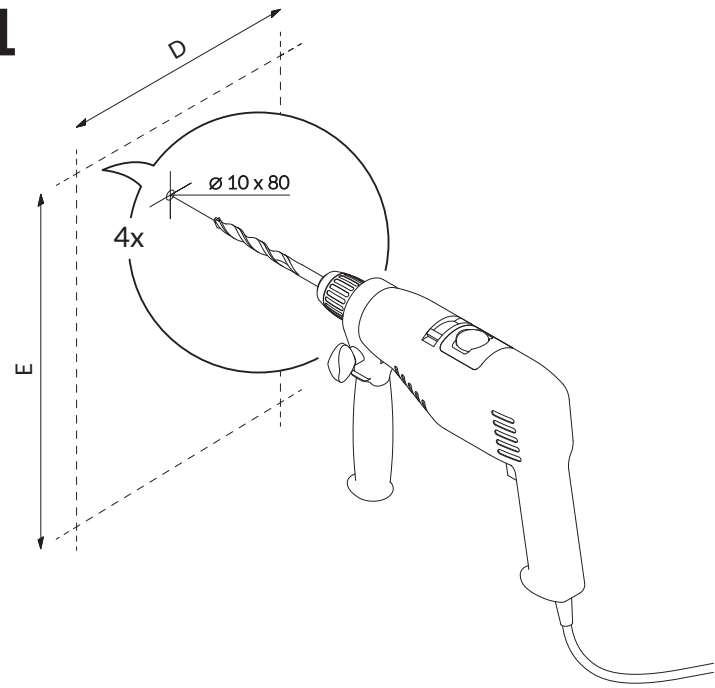
- \* **EN** Refers to water and dual fuel version
- PL** Dotyczy wersji wodnej i wodno-elektrycznej
- CS** Týká se vodní a hydroelektrické verze.
- DE** Betrifft die Wasser- und Wasser-Elektrischen Versionen
- ES** Se refiere a la versión de agua y mixta
- FR** Concerne la version hydraulique et mixte
- IT** Si riferisce alla versione idronica e mista.
- NL** Betreft zowel water- als water/elektrisch verwarmde versies
- RU** Касается версии водной и водно-электрической
- SK** Týka sa vodnej a hydroelektrickej verzie.



**2**



**1**



**3**

