



CE

SH

NIGHT STORAGE HEATERS

SH6M
SH9M / A
SH12M / A
SH15M / A
SH18M / A
SH24M / A

1. WARNING

- Please read these instructions before installing or using this appliance for the first time. The warranty of the combined storage heater will not cover any damage caused by non observance of any of these instructions.
- This Guide must be kept and given to any new owner.
- This appliance can be used by children aged from 8 years and above and persons with reduced physical, sensory or mental capabilities or lack of experience and knowledge if they have been given supervision or instruction concerning use of the appliance in a safe way and understand the hazards involved. Children must not play with the appliance. Cleaning and user maintenance must not be made by children without supervision.
- Children aged from 3 years and less than 8 years shall only switch on/off the appliance provided that it has been placed or installed in its intended normal operating position and they have been given supervision or instruction concerning use of the appliance in a safe way and understand the hazards involved. Children aged from 3 years and less than 8 years shall not plug in, regulate and clean the appliance or perform user maintenance.
- Neither the connecting cable nor any other object must come into contact with the hot unit.
- Check that the voltage shown on the rating plate on the heater is the same as the voltage of the supply to which connection is to be made.
- **WARNING:** In order to avoid overheating, do not cover the heater. Do not use this heater to dry clothes. Do not place objects in contact with the heater.
- The installation of the heater should be carried out by qualified electricians.
- Should the heater be moved and reinstalled it is essential that the work is carried out by qualified electricians. Never open a charged heater.
- If during any reinstallation the thermal insulation shows any sign of damage, it is necessary for the faulty part to be removed and replaced by an identical part.
- The use of storage heaters is forbidden in any area where there is a presence of gases, explosives or inflammable objects.
- The air outlet grill at the top of the heater cabinet and the air inlet at the bottom of the heater are provided to ensure the most efficient operation of the appliance. They also protect the heater from overheating; therefore, it is essential that at no time are they covered.
- This heater should be switched off at the isolating switch before any repair work is carried out. This action should also be taken during the times of the year when heat is not required.
- The installation of the heaters must be carried out in such a way that each pole can be disconnected from the supply having a contact separation of at least 3 mm.
- The storage heater should not be installed just below an electrical socket.
- The appliance must be installed in such a way that it is impossible for anyone using a bath or shower, to touch the controls. This appliance must be earthed.
- The nominal charging time of this storage heater must be controlled by means of a programmer.
- The installation must be carried out in accordance with the current electrical regulations.
- After installation a survey of the first charging cycle should be carried out to ensure that the main input thermostat switches off. Ventilate the room during this first cycle.
- Before carrying out any work inside the appliance, the heater must be disconnected from the electricity supply.

- The presence in the air of particles of smoke, dust and other pollutants could, in time, discolour the walls and surfaces around the heater.
- To maintain stability, it is essential that the heater is placed on a level surface and care should be taken to avoid irregular surfaces, such as may result from carpets or tiled surrounds partially protruding under the heater.
- CAUTION — Some parts of this product can become very hot and cause burns. Particular attention must be given when children and vulnerable people are present.



EN: WARNING: In order to avoid overheating do not cover the heater.

2. INTRODUCTION

Storage heaters are designed to take advantage of the considerable economical benefits of any restricted hour electricity tariff.

The heaters consume electricity only during the night, but due to the highly efficient storage medium, give you a truly economical 24 hours of comfort temperatures.

Type	SH6M	SH9M / A	SH12M / A	SH15M / A	SH18M / A	SH24M / A
Input	0.8 kW	1.2 kW	1.6 kW	2.0 kW	2.4 kW	3.2 kW
Voltage	220 – 240 V~					
Charge	6.4 kWh	9.6 kWh	12.8 kWh	16.0 kWh	19.2 kWh	25.6 kWh
Weight	39 kg	57,5 kg	74 kg	91,5 kg	108,5 kg	144 kg
L	31.5 cm	43 cm	54 cm	65 cm	76.5 cm	99 cm
W	15 cm					
H	72.5 cm					
7,5 kg brick	4	-	8	4	12	16
11,5 kg brick	-	4	-	4	-	-

The input control operates a highly sensitive thermostat which regulates the amount of heat stored.

The discharge is by convection heat which can be partially controlled by use of the output control. Please note that Type SH6M is fully automatic with no output control.

It is important that the correct rating of heater is installed to provide the selected level of heat. This will ensure the best possible running costs against other fuels.

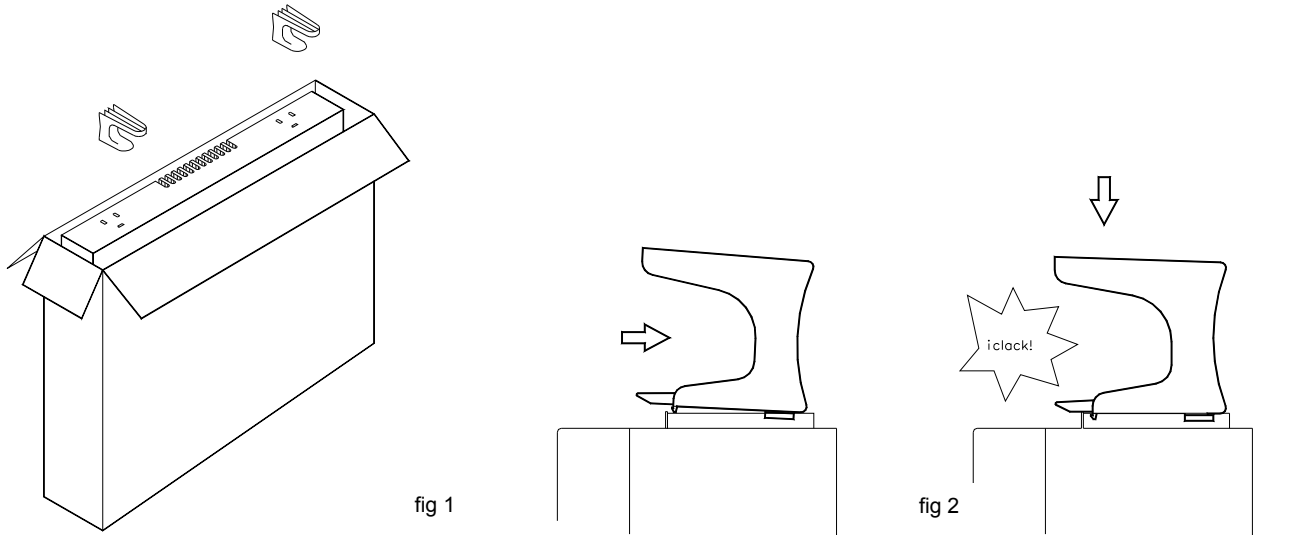
To reduce transport problems, the heater casings and storage bricks are packed separately.

You should be aware that Storage heaters, when fully charged, can have high surface temperatures.

3. INSTALLATION INSTRUCTIONS

1.- Chose the right place to install the heater. It is necessary that a minimum clearance of 50 cm is allowed to ensure the best heating results. Always maintain a minimum clearance of 50 cm from the heater to any combustible materials such as furniture and curtains.

2.- Open the carton at the indicated side and fix the feet without removing the heater casing (fig 1). The screws are in the accessories bag. Turn the carton upside down to allow the heater to stand on its feet and remove the carton. Check that it is the correct model and that it is in good condition.



3.- Take off the front panel by removing the two screws at the bottom of the heater.

4.- Set the heater in the selected installation area and mark the fixing points on the wall using a pencil. Use the heater fixing holes as a template and mark the wall through the fixing holes. Drill the required holes into the wall.

5.- Fix the heater to the wall. Please note the weight of the heater is taken by the feet, the wall fixing screws are only to prevent the heater overturning. If there is any doubt as to the strength of the wall please consult an expert. **Storage heaters are very heavy and the installer must ensure that they are securely fixed and that there is no possibility of them overturning.**

6.- Connect the heater using the enclosed wiring diagram. Ensure that all connections are firm. Use silicone covered wire. Do not leave any remaining wire inside the heater.

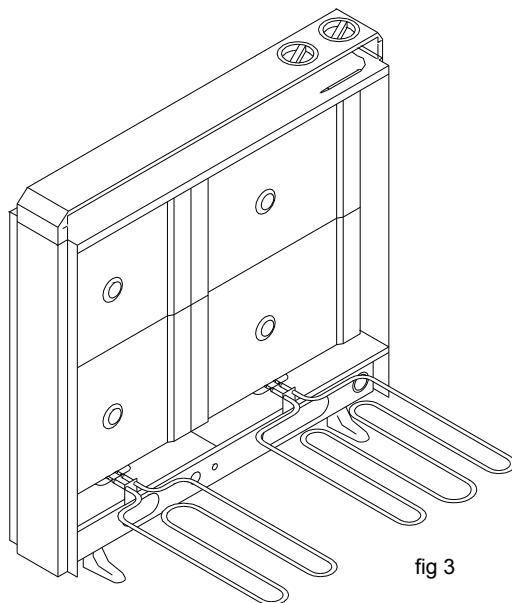
7.- Remove the inner front panel with the attached convector element.

WARNING!

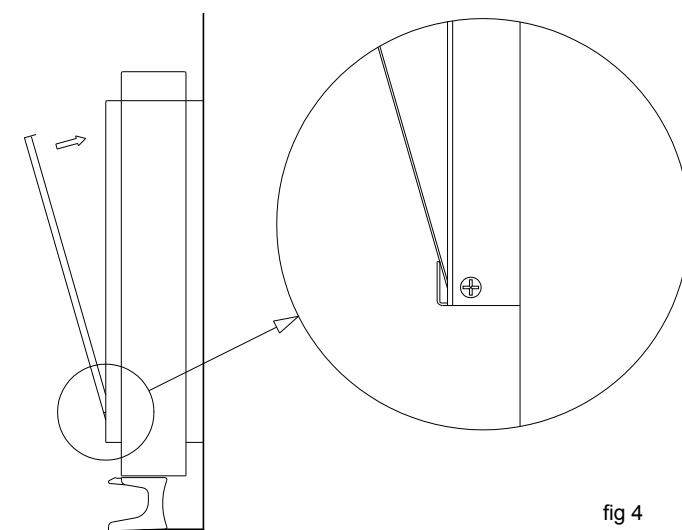
At the other side of this front panel there is a breakable thermal insulation panel. Both sides must be handle with care. Avoid touching the insulation and the convector element.

8.- Do not disconnect the electrical elements. Remove the packaging then lift and recline the elements.

9.- Place the storage bricks carefully, with the flat side facing the back of the heater. Arrange two rows of bricks (fig 3). Should big bricks (ref 11072) are required they must be placed at the right side.



10.- Fix the elements in their original position. Place the other two rows of bricks with the knobs face to face.



11.- Refit the inner front panel. If the bricks have been fitted correctly you will find no difficulty in refitting the panel (fig 4).

12.- Attach the front panel and fix it at the bottom edge with the two screws provided.

4. USING THE STORAGE HEATER

The two controls at the top of the heater govern the input and output functions. Both are printed with the numbers 1 to 5.

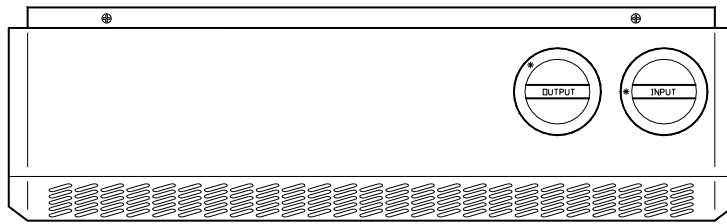


fig 5

The charge (INPUT) control allows you to select the amount of heat you wish to store during the night.

During mild weather, it is normal to set your input control in a medium position. In cooler weather, the control could be set at 5 to give maximum heat retention.

The stored heat will be delivered to the room by both radiant and convected methods. The convected heat can be regulated by using the output control (OUTPUT) This control governs the continuous flow of convected heat from the outlet grill. Type SH6M is completely automatic and has no output control.

All heaters have an exclusive feature which makes it unnecessary to close the output control at night. The outlet grill will close automatically at the beginning of the overnight charge.

5. MAINTENANCE OF YOUR STORAGE HEATER

This storage heater does not require any special care. During the first few charges you may be aware of an unusual odour. This is normal and if it happens please ventilate the room until the odour disappears.

If dust accumulates on the heater surface it can be removed using a wet cloth when the heater is cold. Do not use solvents or abrasive products for cleaning.

Night storage heaters are manufactured under an assured quality system using environment friendly procedures.

Please take the heaters to a clean point once their useful life is finished, in order to recycle their materials in the right way.



EN: **WARNING:** In order to avoid overheating do not cover the heater.

EN



The symbol on the product or in its packaging indicates that this product may not be treated as household waste. Instead it shall be handed over to the applicable collection point for the recycling of electrical and electronic equipment. By ensuring this product is disposed of correctly, you will help prevent potential negative consequences for the environment and human health, which could otherwise be caused by inappropriate waste handling of this product. For more detailed information about recycling of this product, please contact your local city office, your household waste disposal service or the shop where you purchased the product. These instructions are only valid in the EU member states.

NOTES



ELNUR S.A.
Travesía de Villa Esther, 11
28110, Algete - Madrid

Elnur UK - Unit 1
Brownstreet North,
Leigh, WN7 1BU
01942 6770119

www.elnur.es
www.elnur-global.com
www.elnur.co.uk



*Como parte de la política de mejora continua, Elnur s.a. se reserva el derecho a realizar modificaciones técnicas sin previo aviso.
As a part of the policy of continuous product improvement, Elnur s.a. reserves the right to alter specifications without notice.
Como parte da política de melhoria contínua do produto, Elnur s.a reserva a direita alterar especificações sem observação prévia.*