



SunStat & SunStatRF Wired & Wireless Programmable Room Thermostats



- **Easy to programme** – fewer installer call-backs
- **Large clear display** – ideal for visually impaired
- **Intuitive screen icons** – easy for users to understand
- **4 daily, independent time & temperature pairs** – simple to use copy function
- **TPI control electronics** – saves up to 10% of energy costs
- **Screen lock facility** – protects against unauthorised changes
- **Frost protection facility** – protects building
- **Volt free switching** – ideal for combination boilers

“The SunStat or SunStatRF programmable room thermostats are ideal for large refurbishment projects such as ECO or Green Deal projects where cost effective, quick to install, easy to use heating controls are required in order to achieve Part L compliance.”

Sunvic Helpline

Programme Specifications

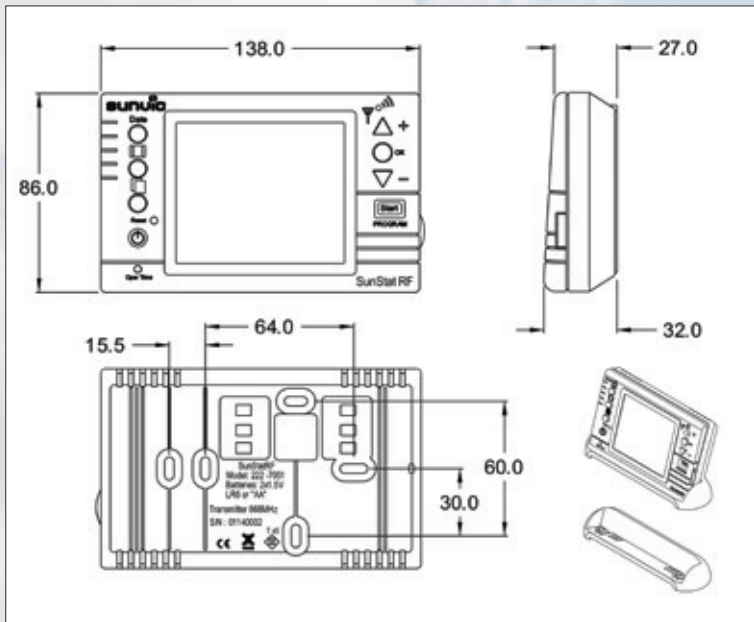
4 daily independent time and temperature pairs
Default programme ON times
Default temperature settings
User adjustable programmes
Screen Lock
OFF mode has integral frost protection setting (5°C)
Holiday mode (1 hour to 99 days)
Temporary programme override

Digital Display Specifications

Day of week No.
Time of day
Room temperature
Low battery indicator
Heat "ON" indicator
Active programme icon
Holiday mode
ON time counter
Blue backlit LCD



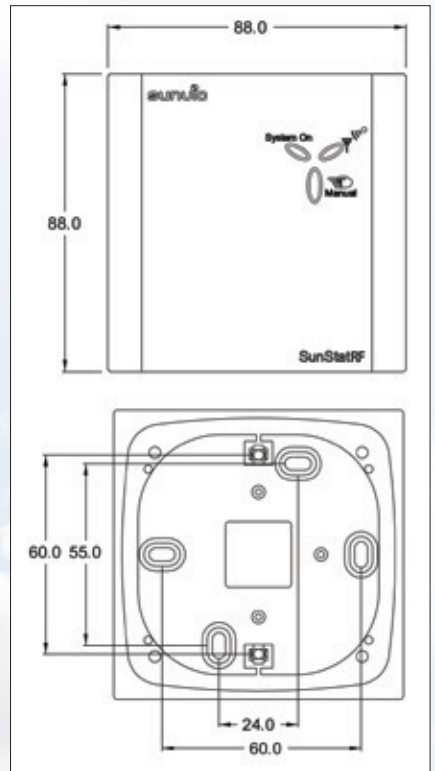
| Programme No. | "ON" Time | "OFF" Time |
|---------------|-----------|------------|
| P1 | 06.00 | 21.0°C |
| P2 | 08.30 | 18.0°C |
| P3 | 16.00 | 21.0°C |
| P4 | 23.00 | 17.0°C |



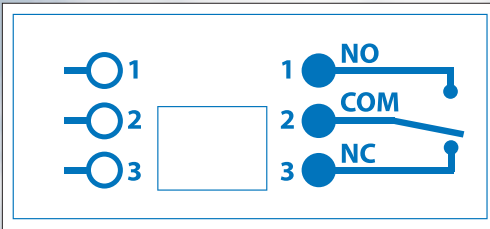
| SunStat Specification | |
|---------------------------|--|
| Power Source | 2 x 1.5V AA batteries (enclosed in pack) |
| Contact rating | 10(3)A / 230Vac-50Hz |
| Volt free | Yes |
| Size (mm) | 138 x 86 x 32 |
| Weight (g) | 226 (inc. batteries) |
| Box dimensions (mm) | 170 x 120 x 50 |
| IP rating | IP20 |
| Display temperature range | 5°C - 45°C |
| Control temperature range | 5°C - 45°C |
| Storage temperature | (-10)°C - 50°C |
| Temperature accuracy | ±1°C (at 20°C) |
| Temperature differential | <1°C (at 20°C) |
| Clock accuracy | ±3 seconds / day |
| European Standards | EN60730-2-9 |
| European Directives | CE Mark WEEE & RoHS Compliant |



| SunStatRF Transmitter (Tx) Specification | |
|--|--|
| Power Source | 2 x 1.5V AA batteries (enclosed in pack) |
| Size (mm) | 138 x 86 x 32 |
| Weight (g) | 226 (inc. batteries) |
| Box dimensions (mm) | 245 x 150 x 65 |
| IP rating | IP20 |
| Display temperature range | 5°C - 45°C |
| Control temperature range | 5°C - 45°C |
| Storage temperature | (-10)°C - 50°C |
| Temperature accuracy | ±1°C (at 20°C) |
| Temperature differential | <1°C (at 20°C) |
| Clock accuracy | ±3 seconds / day |
| Tx frequency (MHz) | 868 |
| Address codes | Max 16 |
| European Standards | EN60730-2-9 EN 300 220-2 V2.3.1 |
| European Directives | CE Mark WEEE & RoHS Compliant |
| Cradle supplied | Wall mounted or free standing |

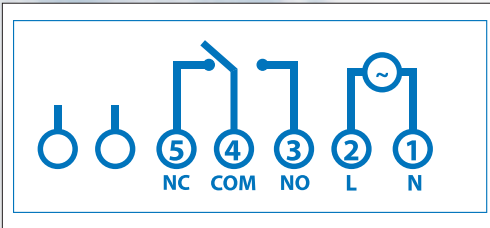


| SunStatRF Receiver (Rx) Specification | |
|---------------------------------------|--|
| Power Source | 2 x 1.5V AA batteries (enclosed in pack) |
| Contact rating | 16(3)A / 230Vac-50Hz 5A / 24VDC |
| Volt free | Yes |
| Size | 88 x 88 x 49 |
| Weight (g) | 181 |
| Box dimensions (mm) | Included in TX box |
| IP rating | IP20 |
| Range (m) | 30+ |
| European Standards | EN60730-2-9 |
| European Directives | CE Mark WEEE & RoHS Compliant |



The **SunStat** & **SunStatRF** programmable room thermostats can be used as equivalents to many of the other established brands on the market. The wiring details should always be checked by a competent person prior to installation.

SunStat



SunStatRF

| Legacy Products | | |
|-----------------|-------------|------------------------------------|
| Model | Part Number | Replaces |
| SunStat | 222-7001 | Sunvic TLX 6501 |
| SunStatRF | 222-7051 | Sunvic TLX RFP, Sunvic TLX RFPv |



@sunviccontrols



sales@sunvic.co.uk



Call now on **+44 (0)1698 812 944**

www.sunvic.co.uk